

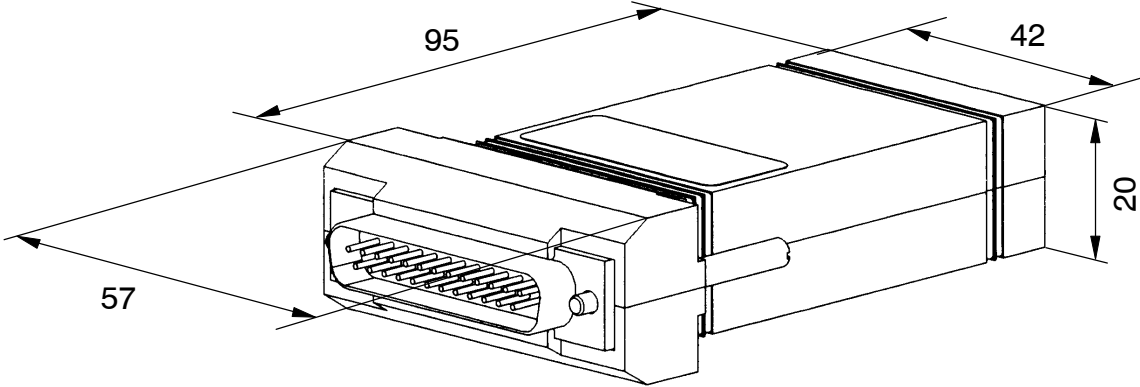
# USB Adapter



### Special features

- Convenient and easy to use for connecting Spider amplifiers to the USB port
- Transmission speed of 150,000 values/s with the Spider8 family

Dimensions (in mm; 1 mm= 0.03937 inches)



## Specifications

Type		USB Adapter	
		Spider8 operation	CP32 operation
Current/power consumption		140 mA, "bus powered" 5 V through USB Bus	
Transmission rate	kByte/s (Val/s)	> 300 > 150000	> 15 > 7500 (2-Byte) > 3800 (4-Byte)
Nominal (rated) temperature range	°C	-10...+50	
Operating temperature range	°C	-20...+60	
Storage temperature range	°C	-20...+70	
Displays LED1 green LED1 blinking green LED2 flashing red LED2 yellow		USB connection to PC exists Active data transmission Adapter tries to find connection to HBM device Connection to HBM device exists	
Dimensions Weight	mm g	100 x 60 x 24 60	
Connection  Transmission rate	  MBaud	USB bus side with USB type B socket (PC) 25-pin Sub-D plug (Spider 8)  10	

### Scope of supply:

Adapter with 1.8 m connection cable

### Warning:

This is a Class A product. In a domestic environment it may cause radio interference, in which case the user may be required to take adequate measures.

### Note:

When plugging on the adapter for the first time, the included system CD must be inserted.

Required files: "HBMUSB.sys" and "HBMUSB.inf"

Modifications reserved.

All details describe our products in general form only. They are not to be understood as express warranty and do not constitute any liability whatsoever.

**Hottinger Baldwin Messtechnik GmbH**

Im Tiefen See 45, D-64293 Darmstadt, Germany

Tel.: +49 6151 803-0 Fax: +49 6151 8039100

Email: [support@hbm.com](mailto:support@hbm.com) Internet: [www.hbm.com](http://www.hbm.com)



measurement with confidence