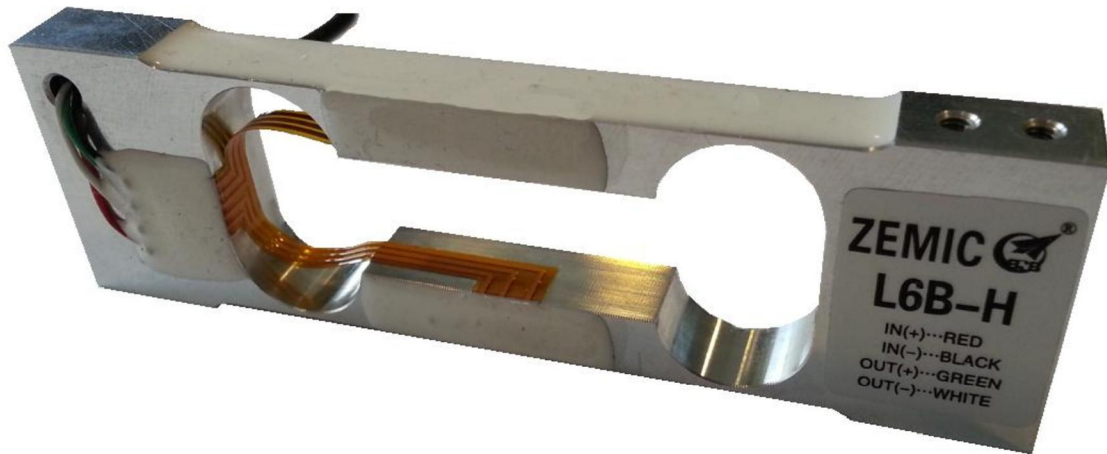


Type L6B Load Cell



Short description



- Aluminium-Alloy IP65 single point load cell.
- Colourless anodized
- Suitable for pricing scales, bench scales, etc.
- Maximum platform size: 200 x 200 mm

Available models

Capacity	Accuracy	Full article description
0.3kg	L/H	L6B-L/H-0.3kg-0.4B
0.6kg	L/H	L6B-L/H-0.6kg-0.4B
1.0kg	L/H	L6B-L/H-1.0kg-0.4B
1.2kg	L/H	L6B-L/H-1.2kg-0.4B
1.5kg	L/H	L6B-L/H-1.5kg-0.4B
3.0kg	L/H	L6B-L/H-3.0kg-0.4B

Type L6B Load Cell

Detailed specifications L6B

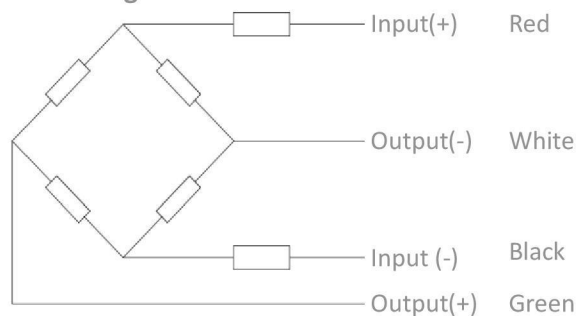
Accuracy class		L	H
Output sensitivity (= FS)	mV/V	0.9 ± 0.1	
Maximum capacity (E _{max})	kg	0.3, 0.6, 1.0, 1.2, 1.5, 3	
Linearity	%FS	≤± 0.015	≤± 0.012
Hysteresis	%FS	≤± 0.015	≤± 0.012
Repeatability	%FS	≤± 0.015	≤± 0.012
Temperature effect on Minimum dead load output	%FS/10°C	≤± 0.030	≤± 0.020
Temperature effect on output	%FS/10°C	≤± 0.030	≤± 0.020
Creep error (2 minutes)	%FS	≤± 0.010	≤± 0.005
Eccentric loading error	%	≤± 0.0200	
Minimum dead load	Of E _{max}	0%	
Safe overload	of E _{max}	120 %	
Ultimate overload	of E _{max}	150 %	
Zero balance	of FS	< ± 2.0 %	
Excitation, recommended voltage	V	5 ~ 12	
Excitation maximum	V	18	
Input resistance	Ω	406 ± 6	
Output resistance	Ω	350 ± 3	
Insulation resistance	MΩ	≥5000 (at 50VDC)	
Compensated temperature	°C	-10...+40	
Operating temperature	°C	-20...+50	
Storage temperature	°C	-30...+60	
Element material		Aluminium	
Ingress Protection (acc. to EN 60529)		IP65	
Recommended torque on fixation bolts	Nm	M3: 1.3	

Wiring

Wiring:

Shielded, 4 conductor cable.
 Cable diameter: Ø3mm.
 Standard cable length: 0.40m
 Shield not connected to element.
 Cable jacket in PVC.

4-wire diagram



Type L6B Load Cell

Dimensions in mm

