

Type L6D Load Cell



Short description



- Aluminium-alloy IP65 single point load cell.
- Colourless anodized
- Suitable for pricing scales, bench scales, etc.
- Maximum platform size: 250 x 350 mm



test certificate no. TC7868 Revision 1
C of C no R60/2000-NL1-10.35



Certificate no. 11-012

Available models

Capacity	Accuracy	Full article description
2.5kg	C3 Excluded from OIML	L6D-C3-2.5kg-0.40B
3kg	C3/C4/C5	L6D-C3/C4/C5-3kg-0.40B
5kg	C3/C4/C5	L6D-C3/C4/C5-5kg-0.40B
6kg	C3/C4/C5	L6D-C3/C4/C5-6kg-0.40B
8kg	C3/C4/C5	L6D-C3/C4/C5-8kg-0.40B
10kg	C3/C4/C5	L6D-C3/C4/C5-10kg-0.40B
15kg	C3/C4/C5	L6D-C3/C4/C5-15kg-0.40B
20kg	C3/C4/C5	L6D-C3/C4/C5-20kg-0.40B
30kg	C3/C4/C5	L6D-C3/C4/C5-30kg-0.40B
35kg	C3/C4/C5	L6D-C3/C4/C5-35kg-0.40B
40kg	C3/C4/C5	L6D-C3/C4/C5-40kg-0.40B
50kg	C3/C4/C5	L6D-C3/C4/C5-50kg-0.40B

Type L6D Load Cell

Detailed specifications L6D

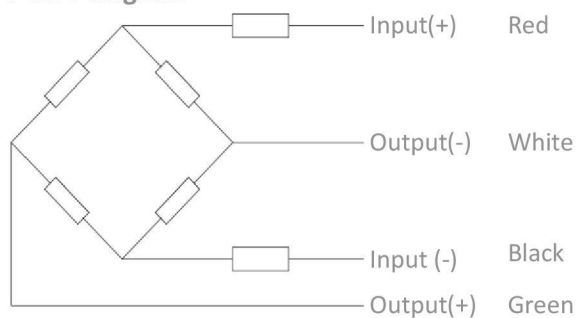
Accuracy class		C3	OIML R60 C3	OIML R60 C4	OIML R60 C5
Output sensitivity (= FS)	mV/V	1.8 ± 0.2	2.0 ± 0.2		
Maximum capacity (E _{max})	kg	2.5	3, 5, 6, 8, 10, 15, 20, 30, 35, 40, 50		
Max.number of load cell intervals	n _{LC}	3000	3000	4000	5000
Ratio of min. LC verification interval	Y = E _{max} / v _{min}	7000	10000	15000	20000
Combined Error	%FS	≤± 0.0230		≤± 0.0175	≤± 0.0140
Minimum dead load	Of E _{max}	0%			
Safe overload	of E _{max}	150 %			
Ultimate overload	of E _{max}	300 %			
Zero balance	of FS	< ± 2.0 %			
Excitation, recommended voltage	V	5 ~ 12			
Excitation maximum	V	18			
Input resistance	Ω	409 ± 6			
Output resistance	Ω	350 ± 3			
Insulation resistance	MΩ	≥5000 (at 50VDC)			
Compensated temperature	°C	-10...+40			
Operating temperature	°C	-35...+65			
Storage temperature	°C	-40...+70			
Element material		Aluminium			
Ingress Protection (acc. to EN 60529)		IP65			
Recommended torque on fixation	Nm	< 30kg: 6		>30kg: 10	

Wiring

Wiring:

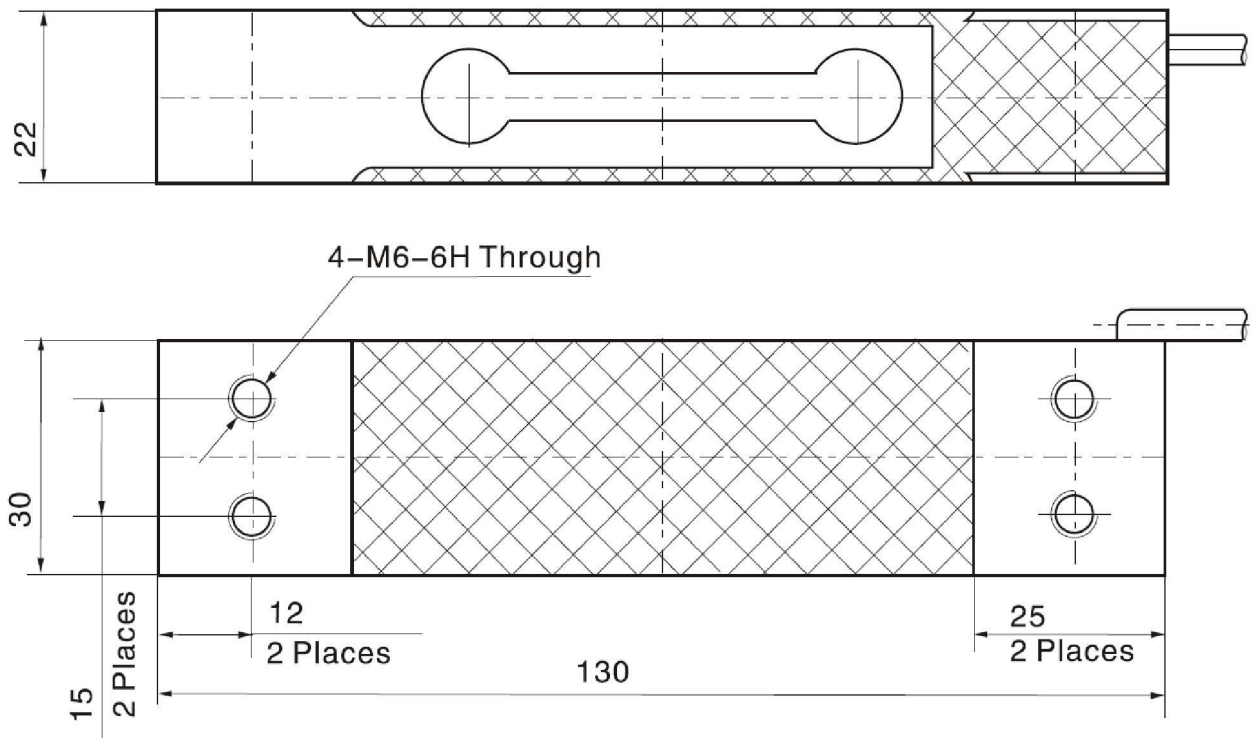
Shielded, 4 conductor cable.
 Cable diameter: Ø3.8mm.
 Standard cable length: 0.40m
 Shield not connected to element.
 Cable jacket in PVC.

4-wire diagram



Type L6D Load Cell

Dimensions in mm



Note: Screws M6 class 8.8, screw rinsed with oil. Torque as in specifications table